



EDGE LIT - DIRECT DC

Diffused Luminaire

COMMERCIAL APPLICATION

Maximum brightness, unrivaled efficiency.

A superior edge-lit flat panel fixture manufactured in the U.S.A.

Uniform, glare-free, dimmable to 0%. Perfect for applications of all kinds, less than 1" plenum space required.

Offering illumination performance unavailable from other manufacturers: **150 Lumens per watt, CRI 97, 100,000 hour life (L70).**

ETL Listed. RoHS compliant. Mercury free, no IR or UV radiation. EM/RF interference free.

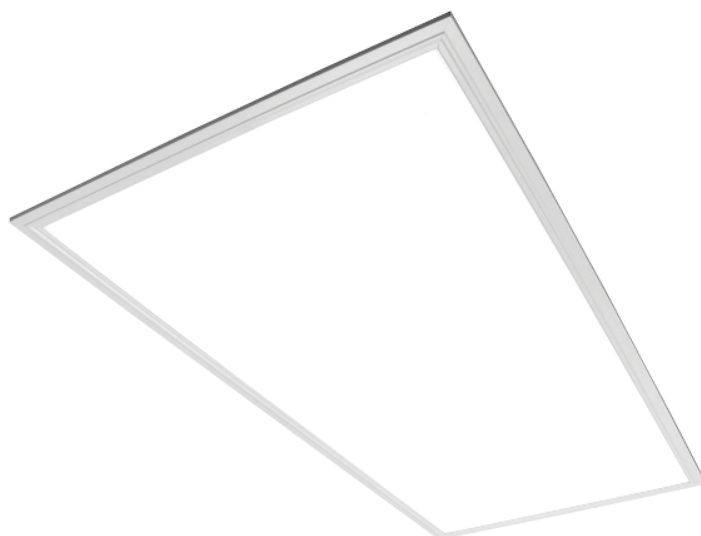
Available in:

- 3,000K
- 3,500K
- 4,200K
- 5,000K
- **Tunable-White (3,000K - 6,000K)**
(Tunable range can be specified - contact Factory)

Offered in 2' X 2', 2' X 4', 1' X 2' and 1' X 4' sizes.

Connects to the **Lumicat Digital Light Module** using Cat-5 cable or hard wire, providing the simplest, most cost-effective installation available.

- Thin profile - less than 1.75"
- Standard recessed T-Bar fit for common ceiling grids
- Class 2 Power, no conduit needed
- Suspension kit available
- Surface mount kit available
- Standard White Powder Coat Finish
- Diffused PMMA Lens - **no Yellowing**

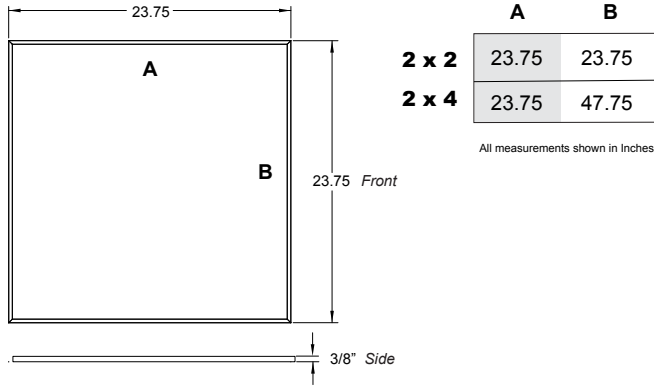


THE FUTURE OF LIGHTING

EDGE LIT - DIRECT DC

Diffused Luminaire

DIMENSIONS



Part Numbers:

Example

FPEL-TW-024-024

FPEL- TW- 024- 024- C
 Product Color Temperature Size Size Lens Option

Size: 024-024 = 2' x 2' | 024-048 = 2' x 4'

Color Temperatures:

3 = 3,000K

4 = 3,500K

5 = 4,200K

6 = 5,000K

TW = Tunable-White (3000K - 6000K)

Lens Covers:

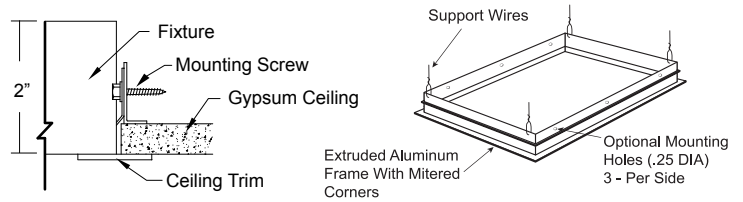
C = Clear

F = Frosted

SPECIFICATIONS	
Power Consumption	37 Watts
Luminous Flux	3200 Lumens (May vary minimally based on LED color)
Beam Angle	120 Degrees
Dimming	0-100%
Housing Color	White
Fixture Material	Die Cast Aluminum Housing
Operating Temperature	-4 degrees F (-20 C) to +122 degrees F (+50 C)
Expected Lifespan	100,000 hours (LM70)
Warranty	10 years
Input Voltage	48VDC
Standards/Certifications	Made in USA, ETL Listed, RoHS, CE

MOUNTING ACCESSORIES

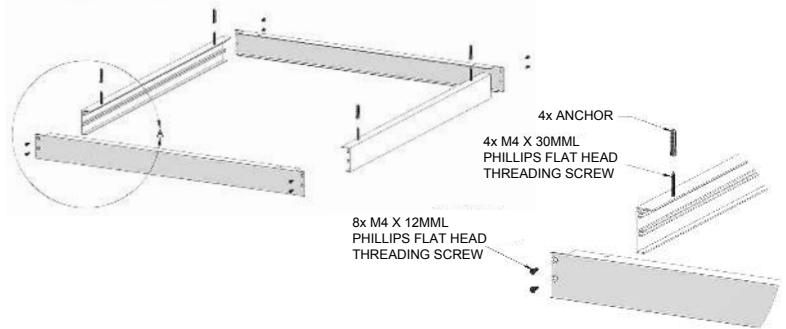
HARD LID GRID ADAPTER KIT (SOLD SEPARATELY)



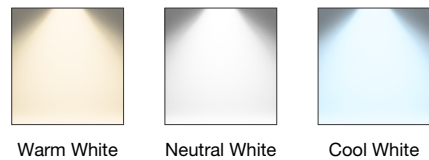
Ordering Information:
 2x2 = Grid Adapter kit-2x2
 2x4 = Grid Adapter kit-2x4

SURFACE MOUNT ADAPTER KIT (SOLD SEPARATELY):

INCLUDED PARTS



LED LIGHT COLOR:



FEATURES:

- No UV or IR radiation, No EM/RF interference
- Easy to install - Fixtures can be daisy-chained
- Maintenance free. No LED driver failures to replace
- Suitable for indoor/outdoor temperatures from -4 to +122 degrees F (-20 to +50 C)
- Solid-state construction shock and vibration resistant
- LEDs are super bright, high intensity and low power consumption
- Extremely long life: up to 100,000 hours (LM70)
- IC Rating not applicable due to 48VDC inherently safe per NEC
- Recyclable at end of life

CERTIFICATIONS:

