



DIRECT DC

Gimbal Pod

COMMERCIAL APPLICATION

Maximum brightness, unrivaled efficiency.

Optum's adjustable gimbal fixture can be aimed downward on sloped ceilings or directed onto any area you wish to highlight. 35 degree vertical tilting, 355 degree bidirectional rotation. Pods can be grouped in an unlimited number of configurations.

Offering illumination performance unavailable from other manufacturers: **150 Lumens per watt, CRI 97, 100,000 hour life (L70).**

ETL Listed. RoHS compliant. 99% recyclable, no IR or UV radiation. EM/RF interference free.

Available in:

- 4,200K

Offered in 4", 5 3/4", and 7 1/8"

Connects to the **Lumicat Digital Light Module** using Cat-5 cable or hard wire, providing the simplest, most cost-effective installation available.

- Standard recessed fit for common ceiling tile
- Class 2 Power, **no conduit needed**
- Multiple fixtures can be daisy-chained



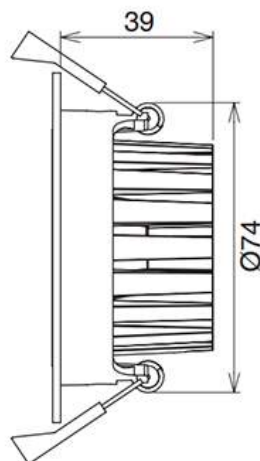
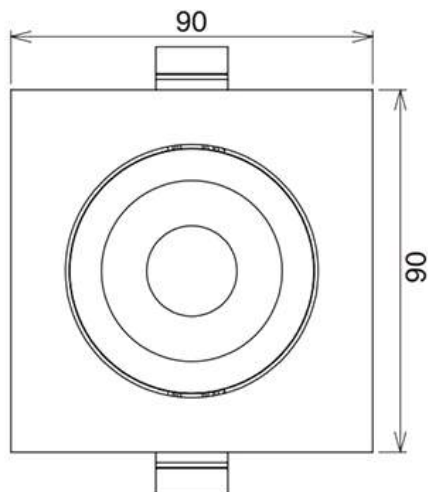
THE FUTURE OF LIGHTING



DIRECT DC

Gimbal Pod

DIMENSIONS



SPECIFICATIONS	
Input Voltage	48VDC
Cut Out Hole Size	6" 4 3/4" 3 1/8"
Dimming	0-100%
Power Consumption	4" = 9W / 6" = 15W
Luminous Flux	4" = 810 Lumens / 6" = 1225 Lumens
Beam Angle	65 Degrees
Size	2" 4" 5 3/4" 7 1/8"
Housing Color	White
Fixture Material	Die Cast Aluminum Housing
Operating Temperature	-4 degrees F (-20 C) to +122 degrees F (+50 C)
Weight	1.0 lbs
Expected Lifespan	100,000 hours (LM70)
Warranty	5 years
Standards/Certifications	Made in USA, UL Listed, ETL Listed, RoHS, CE

LED LIGHT COLOR:



Neutral White

FEATURES:

- No UV or IR radiation
- Easy to install
- Maintenance free. No LED driver failures to replace
- Suitable for indoor temperatures from -4 to +122 degrees F (-20 to +50 C)
- Solid-state construction shock and vibration resistant
- LEDs are super bright, high intensity and low power consumption
- Extremely long life: up to 100,000 hours (LM70)
- Recyclable at end of life
- No EM or RF interference

CERTIFICATIONS:

