



DIFFUSED - DIRECT DC

6" Wall Wash Fixture

COMMERCIAL APPLICATION

Maximum brightness, unrivaled efficiency.

Optum Lighting's Direct DC Wall Wash Fixtures are used to highlight or wash walls with white light or a full spectrum of colors. Available in a variety of sizes, Optum's Wall Wash Fixtures consist of an array of Light Engines mounted in specialized housings, pre-wired and configured to meet Class 1 or Class 2 requirements. A design solution when budgets or construction limits won't allow for a structural cove, but indirect lighting is desired.



These fixtures enable designers, architects, manufacturers, integrators and lighting professionals to create new applications for LED illumination. The scope and diversity of uses for our Wall Wash Fixtures, combined with their inherently safe low voltage design (when Class 2 specified), energy efficiency, eco-friendliness, shallow profile and perfectly even illumination make them ideal for integration into T-Bar or dry wall ceilings.



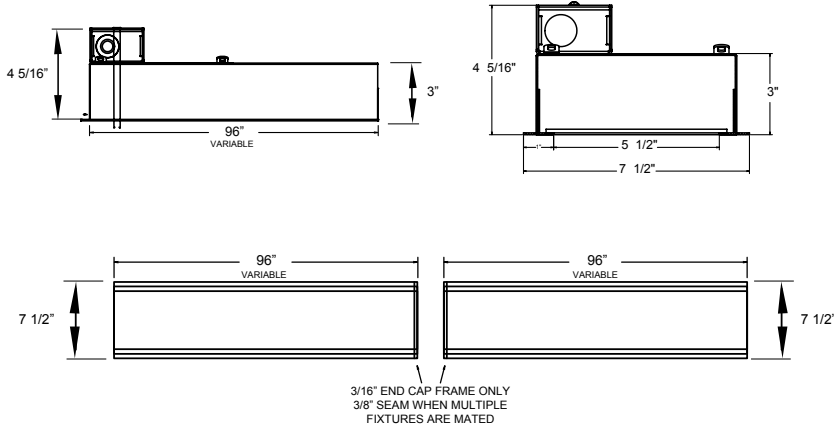
THE FUTURE OF LIGHTING

DIFFUSED - DIRECT DC

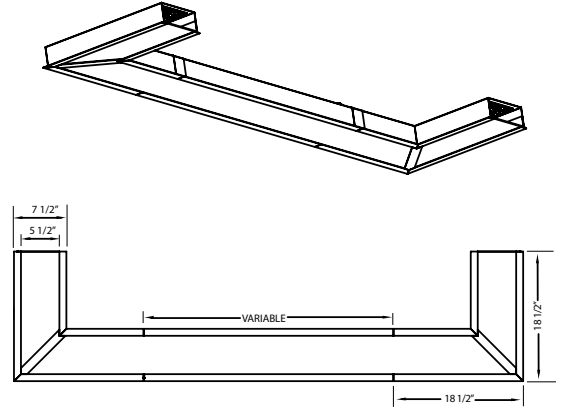
6" Wall Wash Fixture

DIMENSIONS

Standard



Custom



Part Numbers:

Example

WWF-4-2-006-048

WWF- 4- 2- 006- 048
 Product Color Temperature Number of LEDs Size Size

Color Temperatures:

- 3 = 3,000K
- 4 = 3,500K
- 5 = 4,200K
- 6 = 6,000K
- TW = Tunable-White (3000K - 6000K)

Number of LEDs:

- 1 = 1 LED / 3000 Lumens (based on 6" x 48")
- 2 = 2 LED / 6000 Lumens (based on 6" x 48")
- 3 = 3 LED / 9000 Lumens (based on 6" x 48")
- 4 = 4 LED / 12000 Lumens (based on 6" x 48")

Size (Contact Factory for more sizes) :

- 006-012 = 6" x 12"
- 006-024 = 6" x 24"
- 006-036 = 6" x 36"
- 006-048 = 6" x 48"

SPECIFICATIONS	
LED Driver Input Voltage	48VDC
Dimming	0 - 100%
Power Consumption	11.52 Watts (1 LED) per square foot
Luminous Flux	1500 Lumens per sq. ft. (Will vary based on number of LEDs)
Beam Angle	120 Degrees
Housing Color	White Powder Coat
Fixture Material	Aluminum Housing
Weight	1.5 lbs per sq. ft.
Expected Lifespan	100,000 hours (L70)
Warranty	3 years
Standards/Certifications	Made in USA, ETL Listed, RoHS, CE

LED LIGHT COLOR:



Warm White Neutral White Cool White Tunable White RGBW

FEATURES:

- No UV or IR radiation
- Easy to install and mount, featuring integral spring fixture retention clamps
- Maintenance free
- Suitable for temperatures from -4 to +122 degrees F (-20 to +50 C)
- Solid-state construction shock and vibration resistant
- LEDs are super bright, high intensity and low power consumption
- Extremely long life: up to 100,000 hours (L70)
- No RF or EM interference

CERTIFICATIONS:

